



Fine texture concrete building blocks



## Fine texture concrete building blocks

Roadstone are the largest producer of concrete blocks in Ireland. They comply with the Irish Standard Specification IS 20:1987.

Fine Texture blocks are manufactured from aggregates specially produced at our own quarries and are specially graded to give a finer texture than standard block. They are made to higher tolerances than standard blocks and are either left unplastered or painted for internal use only.

### Features and Benefits

- Extensive range including accessories
- Economical & attractive alternative
- High compressive strength
- Fire resistant
- Excellent sound insulation
- Long term durability and low maintenance
- Manufactured on a static plant & kiln cured.

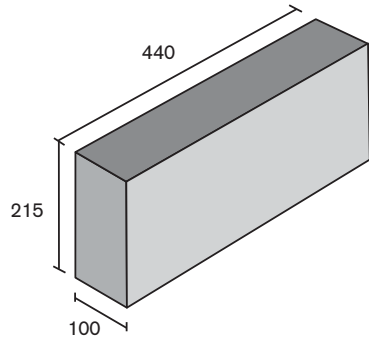
Typical applications for such a product include Schools, Sports Centres, Churches, Offices and Factory units.

The reliability of our own raw materials together with consistency of manufacture, stringent quality control procedures, secure banding and mechanical handling, all contribute to the delivery of a quality product.

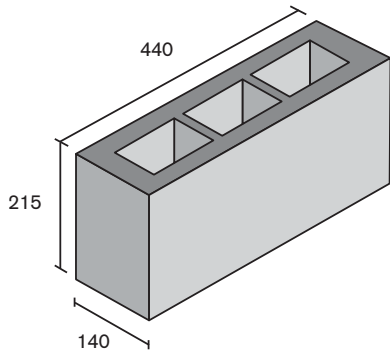
As a market leader we are focused on customer service, product innovation, manufacturing expertise and technical support and we are pleased to advise on any special product requirements.

# Fine texture concrete building blocks

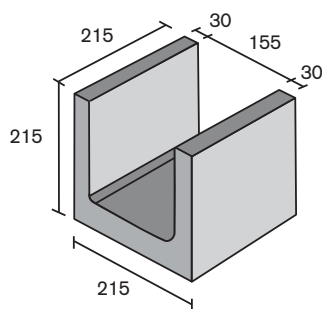
## 450 range



**Solid**  
440 x 215 x 100mm  
20kg. 5MPa (5N/mm<sup>2</sup>)

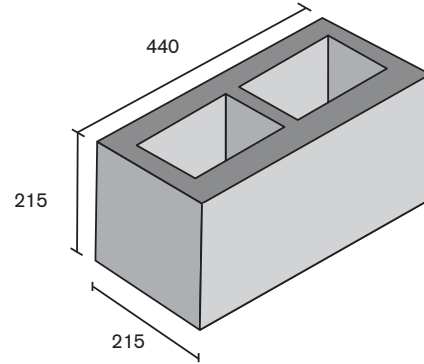


**Hollow**  
440 x 215 x 140mm  
18kg. 3MPa (3N/mm<sup>2</sup>)

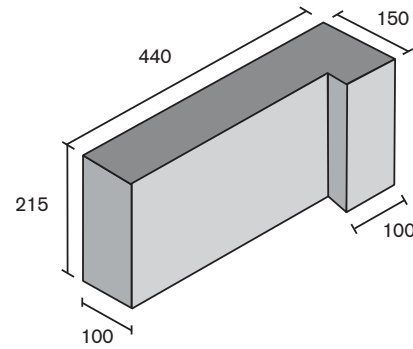


**Half Lintol**  
215 x 215 x 215mm  
11kg.

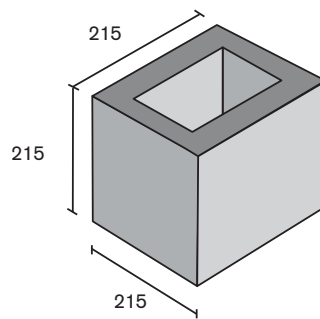
Co-ordinating size 450mm x 225mm  
- 9.88 blocks per sq. metre.



**Hollow**  
440 x 215 x 215mm  
25kg. 3MPa (3N/mm<sup>2</sup>)



**Cavity Closer**  
440 x 215 x 100/150mm  
23kg. 5MPa (5N/mm<sup>2</sup>)



**Half Hollow**  
215 x 215 x 215mm  
12.6kg. 3MPa (3N/mm<sup>2</sup>)

The company will use its best endeavours to meet the customers technical specifications but does not guarantee uniform colour and texture consistency in goods supplied, as variances in materials are inevitable.

Goods shall not be deemed defective if there are such inconsistencies. The company will not accept responsibility for the natural phenomenon of efflorescence which may affect goods supplied. High strength units are by special order only.

Concrete Blocks, Readymixed Concrete, Macadam and Asphalt, Grolime,  
Stonefill and Road Chips, Sand and Aggregates, Roof Tiles  
and Clay Bricks, Mortars and Dashing, Paving and Silica Sand.

Specialist Contractors for Macadam, Asphalt and Paviers.

Roadstone Provinces Ltd., Head Office, Saggart, Co. Dublin.  
Telephone 01-404 1400 Fax 01-404 1404 [www.roadstone.ie](http://www.roadstone.ie)

Roadstone Provinces Ltd.,  
Cherrymount,  
Drogheda, Co. Louth.  
Tel: 041 983 7764  
Fax: 041 983 5011

Roadstone Provinces Ltd.,  
Two Mile Ditch, Galway.  
Tel: 091 709 050  
Fax: 091 752 199

Roadstone Provinces Ltd.,  
Bunratty, Co. Clare.  
Tel: 061 709 500  
Fax: 061 709 555

Roadstone Provinces Ltd.,  
New Aghish, Kilmacow,  
Co. Kilkenny  
Tel: 051 894 000  
Fax: 051 894 015

Roadstone Provinces Ltd.,  
Gooig, Castleconnell,  
Co. Limerick.  
Tel: 061 377 217  
Fax: 061 377 179

Roadstone Provinces Ltd.,  
Ovens, Currabeg,  
Co. Cork.  
Tel: 021 4877 997  
Fax: 021 4876 908

15736 08.01



A company within the CRH Group